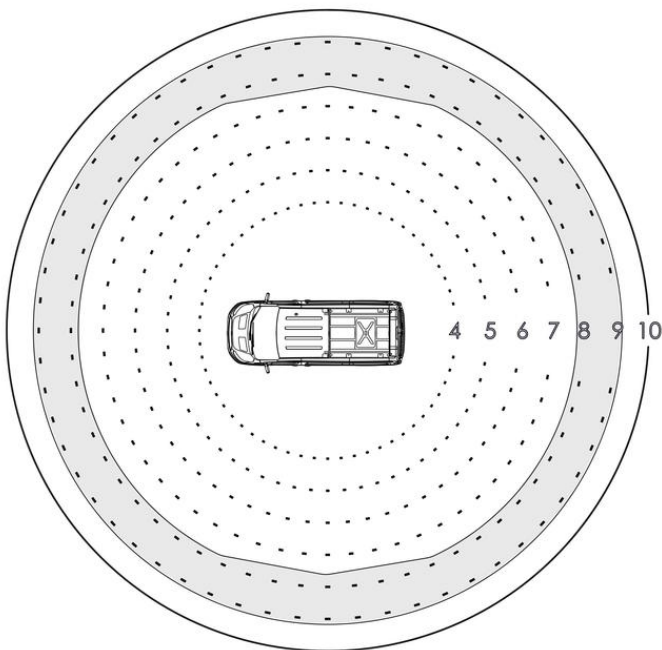
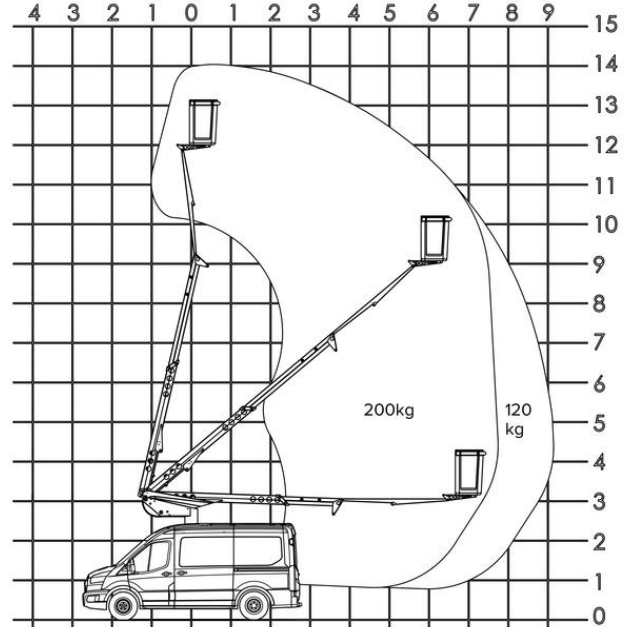
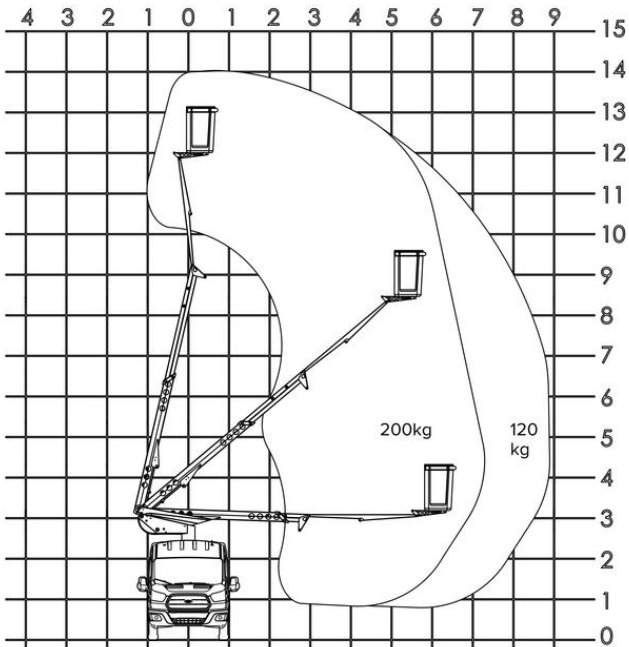




# VZ 140 FORD TRANSIT L2, H2 RWD



Vehicle Spec	Ford Transit L2, H2 RWD
Platform	VZ 140
A frame ballast	0 kg
Max height	14.3 m
Payload + fuel + 2 operators	290 kg
Gross payload + fuel	450 kg
Max outreach at SWL	6.52 m
Max outreach at 200kg	6.9 m
Max outreach at 120kg	8.5 m
Max outreach	9.2 m
Max load at full reach	90 kg
Tail-swing inside mirrors	✓
Tail-swing inside floor	✗
Direct hydraulic control	✗
Digital control	✓
Telescopic control	✓
Safe Working Load	230 kg
Availability	2014

Last updated 19th Jan 2021

Side and aerial views show envelope with slew sensitive outreach option

CALL ALDERCOTE LIMITED FOR MORE INFORMATION ON +44 (0) 1482 222377