

POWER TOWER

The Powered Scaffold Tower



Welcome to the new, improved **Power Tower** the powered scaffold tower.

Now with even larger (1520mm x 750mm) platform, the Power Tower gives the user even more room to work and more room for tools and equipment.

With over 50% more platform size than its nearest competitor, the Power Tower requires less moves to cover the same area for many applications. And at only 780mm wide will still pass comfortably through a standard single doorway.

The heavy duty Power Tower really is the cost effective, safe and efficient alternative to large podiums or small scaffold towers.

Designed and manufactured in the UK since 2007 the Power Tower provides the operator with simple, effortless access up to 5.1m working height from very compact closed dimensions L: 1.6m W: 0.78m H: 1.85m.

Make life easy, simply push into position, step in through the easy entry gate and press a button.

- 3.1m Platform height, 5.1m working height.
- 250 Kg. Safe working load (1-Person).
- Compact - Only 0.78m wide, passes easily through standard doorways.
- Large 1.52m x 0.75m platform size.
- Only 0.78 x 1.6m working footprint.

NEW IMPROVED FEATURES

- Larger 1520mm x750mm platform size.
- New easy access gate.
- New larger chassis fork truck pockets.
- Improved power input interface.
- Improved heavy-duty Auto-Lok wheels on elevation provide secure base.



SPECIFICATIONS

OPERATING DIMENSIONS

Operating Dimensions:	5.10m
Maximum Working Height:	3.10m
Maximum Platform Height:	3.10m
Platform Dimensions:	1.52m x 0.75m
Working Foot Print:	1.60m x 0.78m
Safe Working Load:	250 Kg

CLOSED DIMENSIONS

Length:	1.60m
Width:	0.78m
Height:	1.85m
Weight:	342Kg

POWER OPTIONS

Battery:	12v c/w Automatic charger.
Mains:	110v or 230v.
Controls:	Simple push button basket controls.
Construction:	Heavy duty fabricated steel

Safety:

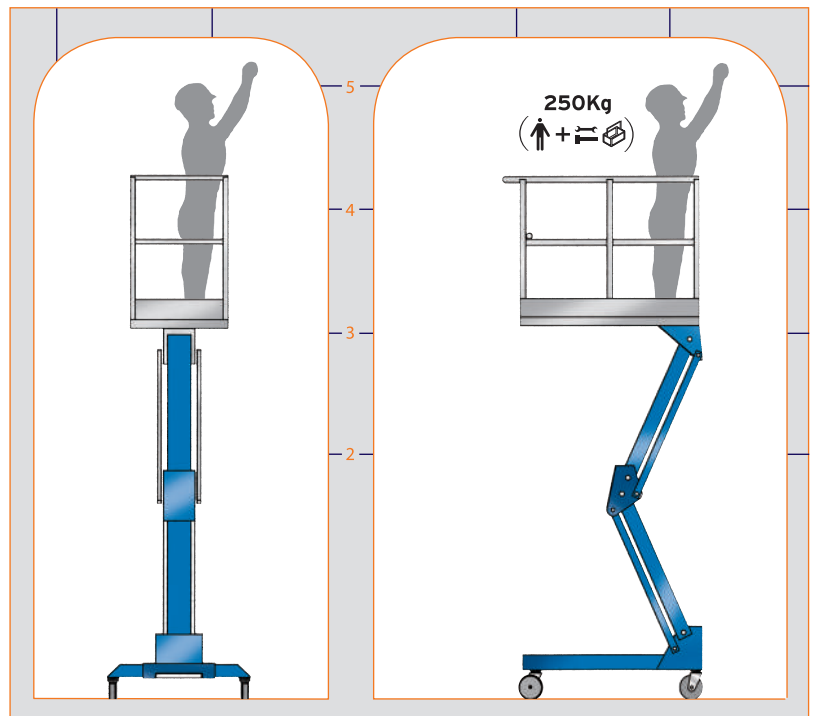
superstructure, stainless steel bushed pivots, tough powder coated finish. CE marked, complies fully with En280 and relevant European machinery directives. Full failsafe hydraulics, automatic locking wheels.

Options:

Tilt alarm c/w auto cut-out.
Narrow basket for suspended ceiling grid access.
Pipe Carrying kit (max 2" pipe).
Tool tray.
Foam buffer kit.

SAFETY FEATURES

- Fail-safe hydraulic circuit complete with check valve on lift cylinder.
- Improved heavy-duty Auto-Lok wheels on elevation provide secure base.
- Emergency descent from ground level.
- Audible ascent and descent drive alarm.



750mm



780mm



Passes easily through single doorway or into passenger lifts.



Easy tail-lift transportation.



Suspended ceiling grid, narrow basket. Available as an option.
Size: 450mm x 450mm



This data sheet is intended as a guide only and as such is not legally binding, nor does it form part of any contract.
All dimensions are approximate.