



# ELECTRIC SCISSOR LIFT

## AS1413 (AS4650)

### HIGHLIGHTS

With a platform height of 13.8m, the LGMG AS1413 greatly expands the working height of electric scissor lifts and improves the productivity for the operators in high applications.

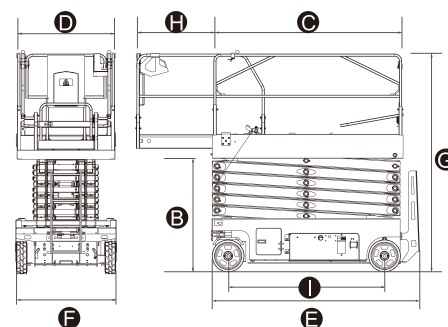
- Proportional control ensures smooth driving and precise positioning.
- 320kg capacity with 0.9m extension deck offers great productivity.
- Forklift pockets on both side and rear position for easy handling.
- Swing out component trays for easy access and maintenance.
- Intelligent self-diagnostic system for quick troubleshooting.



# LGMG Hydraulic Motor Drive Scissor Lift

## SPECIFICATIONS

MODELS		AS1413 (AS4650)	
Measurements	Metric	US	
Working Height Max. (indoor/outdoor)	15.8/10m	51.8/32.8ft	
<b>A</b> Platform Height-Raised (indoor/outdoor)	13.8/8m	45.3/26.2ft	
<b>B</b> Platform Height-Stowed	1.6m	5.25ft	
<b>C</b> Platform Length	2.64m	8.7ft	
<b>D</b> Platform Width	1.15m	3.8ft	
<b>E</b> Overall Length (with ladder)	2.8m	9.2ft	
<b>F</b> Overall Width	1.3m	4.3ft	
<b>G</b> Overall Height-Rails Up	2.74m	9ft	
Overall Height-Rails Down	2.16m	7.1ft	
<b>H</b> Extension Deck	0.9m	3ft	
<b>I</b> Wheelbase	2.22m	87.4in	
Ground Clearance(Stowed/Raised)	105/20mm	4.1/0.79in	
PRODUCTIVITY			
Platform Occupants Max. (in/out)	2/1	2/1	
Platform Capacity	320kg	705lbs	
Platform Capacity-Extension	120kg	265lbs	
Drive Height		Full Height	
Gradeability-Stowed		25 %	
Turning Radius-Inside		0	
Turning Radius-Outside	2.85m	9.4ft	
Raise/Lower Speed		80/65 s	
Brakes		Front-wheel Brake	
Drive Mode		4×2	
Tires Type		Solid Non-marking	
Tires Size	380×130mm	15×5in	
POWER			
Power Source		24V DC 300Ah	
HYDRAULIC SYSTEM			
Hydraulic Oil Capacity	25.5L	6.7gal	
WEIGHT			
Machine Weight(CE/ANSI)	3570kg	7870lbs	



## STANDARD FEATURES

- Proportional control
- Foldable guardrails
- Emergency stop device
- Manual brake release
- Emergency descent
- Swing-out component trays
- Pothole guards
- Self-lock entry gates
- Tilt alarm with lift cut-out
- Overload sensing system
- Descent alarm with flashing beacons
- Horn/Hour meter
- All motions alarm
- Full-height drive\*
- Intelligent diagnostic system

## OPTIONAL

- AC power to platform
- Platform anti-collision device
- Air tube to platform
- Maintenance-free battery
- Lithium battery
- GPS

(Note:\* Max. drivable height for AS1413 is 8m outdoor use)

## Machines in compliant with EN280 / ANSI 92.20 Standard.

Specifications subject to change without notice. Photos and diagrams in the page are for promotional purposes only.  
2020 V1 Version

## LINGONG GROUP JINAN HEAVY MACHINERY CO., LTD.

Address: No. 2676, Kejia Road, Jinan, Shandong, China  
Email: sales@lgmg.com.cn Tel: +86-0531-67879283

## LGMG Europe B.V.

Address: Laanweg 16 3208LC Spijkenisse Rotterdam, The Netherlands

## LGMG North America, Inc.

Address: 1445 Sheffler Dr, Chambersburg, PA. 17201, USA



RELIABILITY IN ACTION